

Disassembly/Assembly Instructions

Contents

1	Safety instructions	3
1.1	General	3
1.2	Safety instructions for rechargeable batteries	4
2	Disassembly / Assembly	5
2.1	Required material	5
2.2	Disassembling the rechargeable battery pack	5
2.2.1	Opening the battery compartment	5
2.2.2	Removing the rechargeable battery	6
2.3	Assembling the new battery pack	7
3	Testing and further information	9
3.1	Testing the battery and final adjustments	9

1 Safety instructions

1.1 General



Always check the safety and testing regulations that are currently valid for your country and abide by the following regulations:

- Repair-related (e.g. in accordance with VDE 0701 in Germany).
- Device-related in accordance with IEC 62368-1.
- Unauthorized alterations and modifications are not permitted for safety and certification reasons. The person who performs unauthorized modifications is liable for any resulting damage.
- Comply with ESD regulations when working around components that are susceptible to electrostatic discharge.
- Modifications and repairs may only be performed by skilled personnel (e.g. in accordance with VDE 1000 in Germany).
- When repairing a device or replacing single components you have to use the original parts from the device's current spare parts list. When other than the original parts are used the approval/ the certification of the device becomes invalid!
- Observe the safety instructions and the disposal regulations of the Lithium-Polymer battery pack.

1.2 Safety instructions for rechargeable batteries



WARNING!

In extreme cases, abuse or misuse of Lithium-Polymer battery pack can lead to: explosion, fire, heat or smoke or gas.

- ▶ Do not crush, puncture, short circuit, disassemble, expose to moisture, heat or store above 70°C/158°F or dispose of in fire or water.

- Only use the battery pack for designated product(s).
- Read instructions in the product Safety Guide before using the battery.
- Keep battery out of reach of children and in original package until ready to use. Never put batteries in mouth.
- Recycle or dispose of used batteries according to instructions.



Only use rechargeable batteries recommended by DSEA A/S and the appropriate chargers.



Do not expose to moisture.



Switch rechargeable battery-powered products off after use.



Only charge rechargeable batteries at ambient temperatures between 10°C/50°F and 40°C/104°F.



When not using rechargeable batteries for extended periods of time, charge them regularly (about every 3 months).



Do not mutilate or dismantle.



Do not heat above +70°C/158°F, e.g. do not expose to sunlight or throw into a fire.

2 Disassembly / Assembly

2.1 Required material

- new Battery pack for SDW 30 HS | SDW 60 HS – ID No. AHB732038TPCT
- Tool such as a small plastic rod and paper clip for SDW 60 HS

2.2 Disassembling the rechargeable battery pack

2.2.1 Opening the battery compartment



CAUTION!

Damage to the product due to improper handling!

The wires can be kinked or damaged if you open the battery compartment too jerkily.

- ▶ Carefully open the battery compartment.

1. SDW 30 HS: Slide one finger into the small recess on the side support.
SDW 60 HS: Use a paper clip or similar tool to press the unlock button and turn the cover a bit.
The battery compartment lifts a bit.

SDW 30 HS



SDW 60 HS



2. Gently remove the battery compartment cover.

2.2.2 Removing the rechargeable battery

1. Use a plastic tool (e.g. small plastic lifting rod) to lift the rechargeable battery. Please note, that the battery is attached with an adhesive.

SDW 30 HS



SDW 60 HS



2. Remove the rechargeable battery.
3. Carefully loosen the connector plug.

SDW 30 HS



SDW 60 HS



2.3 Assembling the new battery pack

1. Rotate the battery so that the marking signs are visible at the top. Insert the connector plug of the new rechargeable battery into the connection socket. Observe correct orientation of the connector plug.

SDW 30 HS



SDW 60 HS



2. Press on the plastic parts to securely lock the connector plug.
3. Insert the battery and assure that the marking signs are visible at the top. Place the battery centered to secure an air gap around it.

SDW 30 HS



SDW 60 HS



4. Make sure that the wires are aligned and not crossing over each other. Gently press down the three wires and the battery.
5. Slide in the battery compartment cover.

- SDW 60 HS: Close the battery compartment and turn the lid clockwise. You hear a click.
SDW 30 HS: Start attaching the lower side (as shown) and then push the other side down. Finally, push the sides into place.

SDW 30 HS



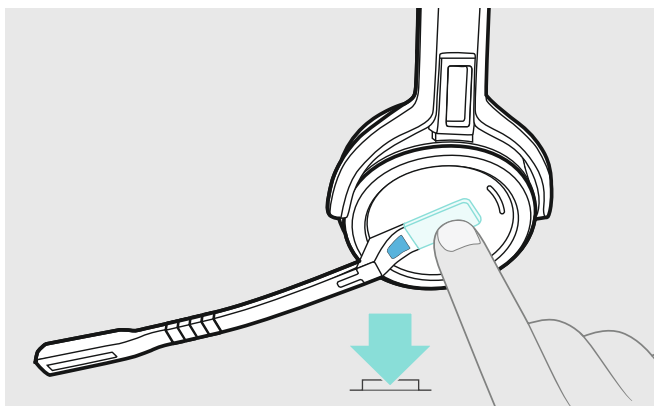
SDW 60 HS



3 Testing and further information

3.1 Testing the battery and final adjustments

1. Test the function of the headset: Press the Hook button to switch on the headset. The LED lights up blue.



2. Charge the battery for at least 20 minutes before using the headset. See User Guide for further information.
3. Switch off the headset before sending it to the customer. Press and hold the Hook button for 5 seconds. The headset switches off. The Headset LED flashes red 3 times and turns off.

